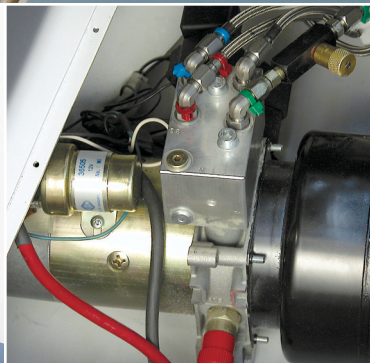
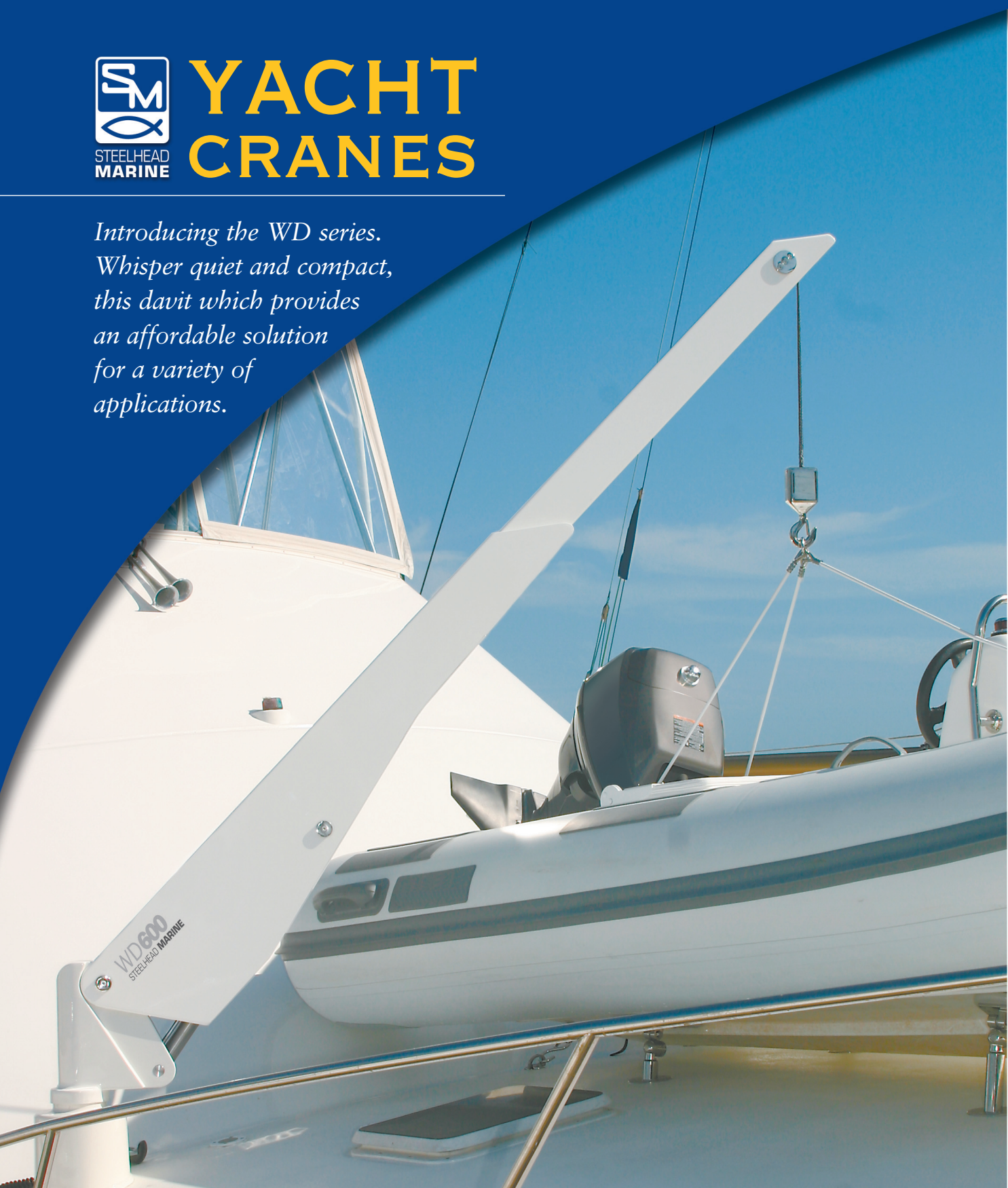


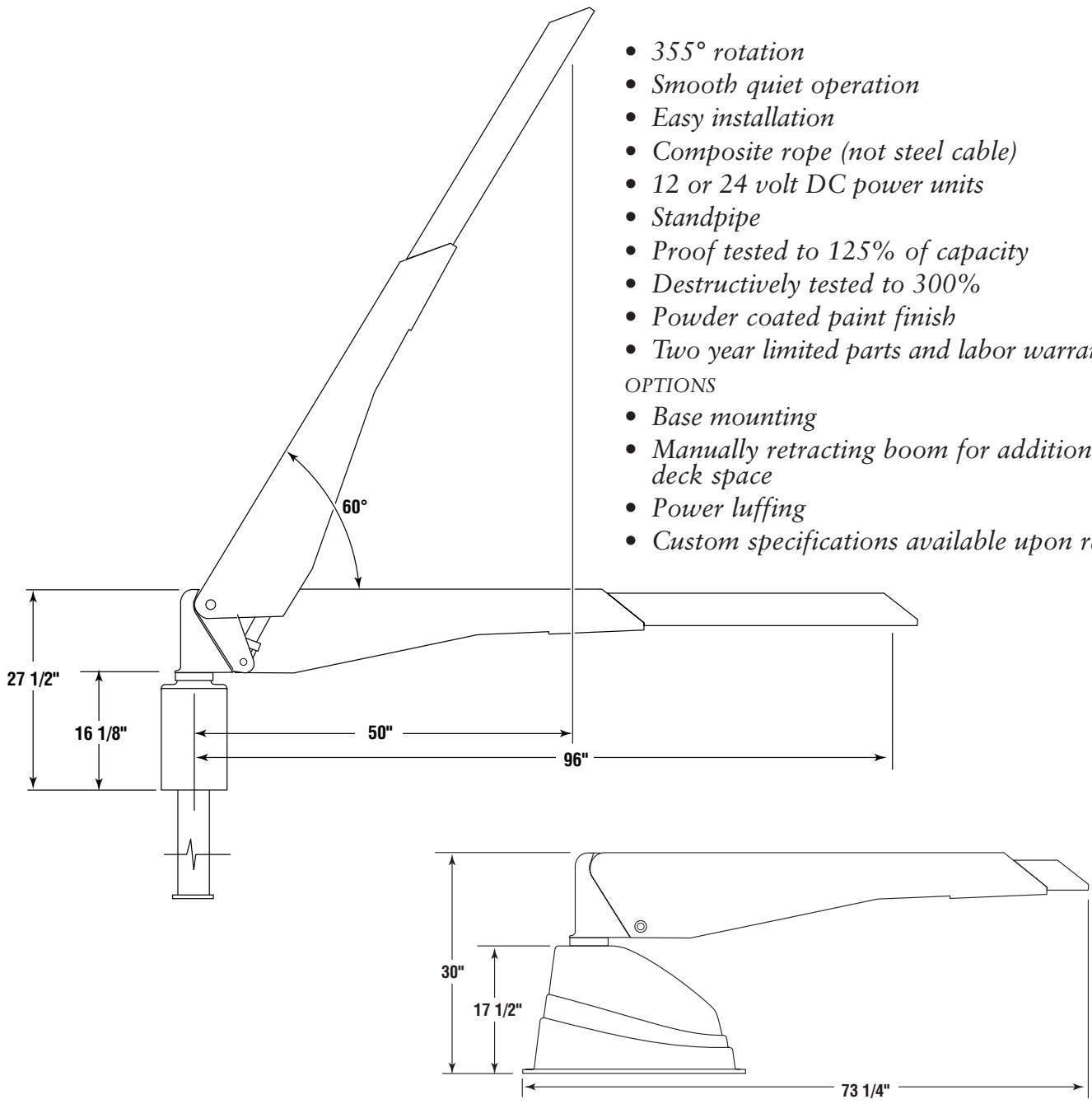


# YACHT CRANES

*Introducing the WD series.  
Whisper quiet and compact,  
this davit which provides  
an affordable solution  
for a variety of  
applications.*



8,000 ft-lb WD 1000 / WD 800 / WD 600



- 355° rotation
- Smooth quiet operation
- Easy installation
- Composite rope (not steel cable)
- 12 or 24 volt DC power units
- Standpipe
- Proof tested to 125% of capacity
- Destructively tested to 300%
- Powder coated paint finish
- Two year limited parts and labor warranty

OPTIONS

- Base mounting
- Manually retracting boom for additional deck space
- Power luffing
- Custom specifications available upon request

Optional base and retraction feature

	CAPACITY	REACH	SAFETY FACTOR	WEIGHT	HOIST CABLE	CABLE SF	HOIST HEIGHT	WINCH TYPE	SINGLE FUNCTION HYDRAULICS
<b>WD 1000</b>	1000 lbs (455Kg)	8' (244cm)	3:1	215 lbs* (98Kg)	1/4" Amsteel Blue	8:1	17' (518cm)	Linear	Winch
<b>WD 800</b>	800 lbs (364Kg)	8' (244cm)	3:1	215 lbs* (98Kg)	1/4" Amsteel Blue	10:1	17' (518cm)	Linear	Winch
<b>WD 600</b>	600 lbs (272Kg)	8' (244cm)	3:1	215 lbs* (98Kg)	1/4" Amsteel Blue	13:1	17' (518cm)	Linear	Winch

\*Weight includes standpipe and shear transfer collar assembly.



**Steelhead Marine Ltd.**  
 7057 Beatty Drive, Mission, BC, Canada V2V 6C4  
 Tel: 604.826.1668 Fax: 604.826.9992  
 E-mail: steelheadmarine@telus.net  
 Web: www.steelheadmarine.net  
 © 2002 Steelhead Marine Ltd. Printed in Canada

Dealer/Distributor